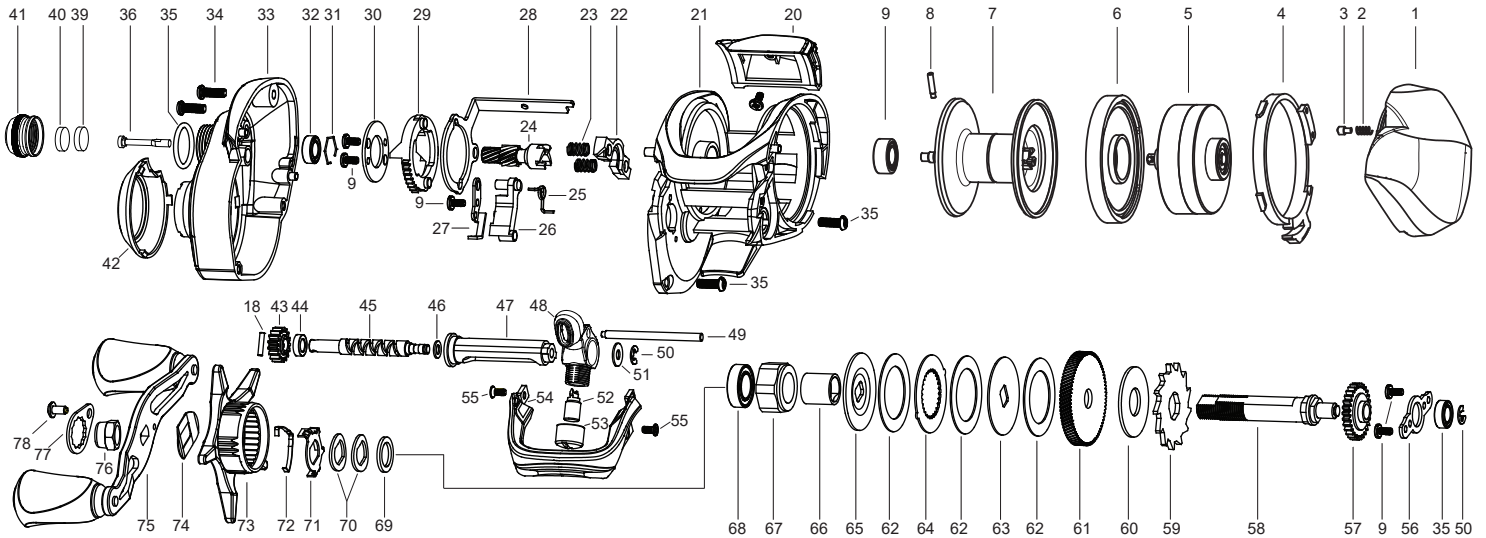


# DRAKEN

# 1



## Parts assembly



### key No. Parts Name

1. Left side plate (R/L)
2. Switch spring
3. Switch pin
4. Switch
5. CastGuard Assembly
6. CastGuard Sideplate Seal
7. Spool
8. Bearing retainer A
9. Bearing A

### key No. Parts Name

21. Frame (R/L)
22. Yoke (R/L)
23. Yoke spring
24. Pinion gear (R/L)
25. Clutch cam spring (R/L)
26. Clutch trip plate pedestal (R/L)
27. Clutch trip plate (R/L)
28. Clutch cam A (R/L)
29. Clutch cam B (R/L)
30. Clutch cam plate
31. Bearing retainer B
32. Ball bearing D
33. Right side plate (R/L)
34. Right side plate screw
35. O-ring
36. Spindle top rod
39. Spacer A
40. Spacer B

### key No. Parts Name

41. Cast control cap
42. Decorative piece A
43. Worm shaft gear A
44. Ball bearing C
45. Worm shaft
46. Spacer D
47. Worm shield
48. Line guide assembly
49. E-retainer
50. Line guide assembly
51. Spacer E
52. Line guide pawl
53. Pawl cap
54. Front plate (R/L)
55. Screw C
56. Drive shaft retainer
57. Worm shaft gear B
58. Drive shaft
59. Anti-reverse ratchet
60. Drive shaft washer

### key No. Parts Name

61. Drive gear
62. Drag washer A
63. Drag washer B
64. Drag washer C
65. Drag washer D
66. One way clutch bushing
67. One way clutch
68. Ball bearing D
69. Washer A
70. Drag spring washer
71. Click leaf spring holder
72. Click leaf spring
73. Star drag assembly (R/L)
74. Friction washer
75. Handle assembly (2 Bearings)
76. Handle nut (R/L)
77. Handle nut retainer
78. Handle nut retainer screw

**NOTE:** Warranty void if CastGuard assembly (part no.5) is opened or tampered with.